

# ADVANTAGE SERIES FILTER FANS KBFF20AUE1 MODELS



## STANDARD FEATURES

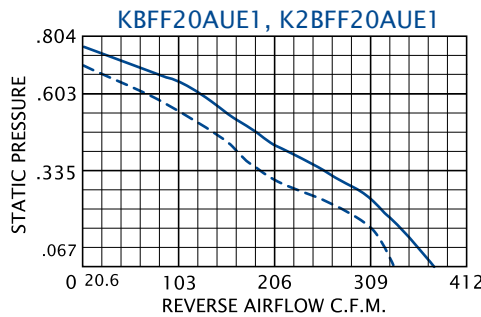
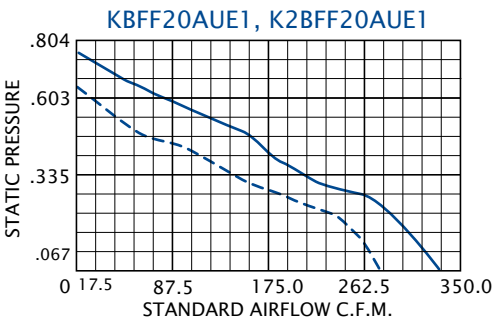
- Mounts Quickly and Easily
- Attractive Appearance
- Requires no Mounting Hardware
- Integral Finger-Guards
- Most Assemblies are CE Approved
- Type 12 Rating Maintained (if used with provided filter)
- UL Shielded Ball Bearing Motors
- Integrated Sealing Gasket
- Washable Thermolinked Progressive Structure Synthetic Filter
- Electrical Connection: Terminal block 3 poles L-N-PE
- Standard color: RAL 7035, Light Grey (See How to Order)

## ACCESSORIES AND OPTIONS

- Grille Color: RAL 9005, Black (See How to Order)
- Grille Assembly (P/N: KBFA20U)
- Replacement Filters (P/N: KFM20)
- Reversed Airflow Direction



## PERFORMANCE CHARTS



Airflow vs. static pressure curves for 115VAC and 230VAC models are shown for 60 Hz (solid line) and 50 Hz (broken line) inputs. Static pressure is in inches of water.

## TECHNICAL DATA

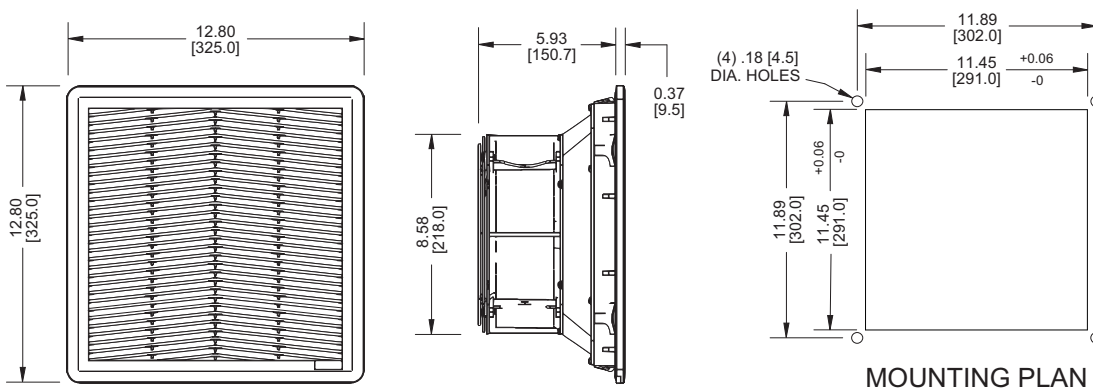
Model	Normally In Stock	Voltage	Frequency Hz	Input Amps	Input Watts	Max. Airflow CFM*	Static Pressure INCH. W.	Noise db(A)	Operating Temp. °F		Approx. Weight		Agency Approvals
									Min.	Max.	Lbs.	Kg.	
KBFF20AUE1	Yes	115	60	0.730	83	341.4	0.76	79.2	14	131	6.8	3.1	1, 2, 5
KBFF20AUE1		115	50	0.680	74	306	0.64	66	14	131	6.8	3.1	1, 2, 5
K2BFF20AUE1		230	60	0.350	85	341.4	0.76	68.1	14	131	6.8	3.1	1, 2, 5
K2BFF20AUE1		230	50	0.680	74	306	0.64	65.3	14	131	6.8	3.1	1, 2, 5

\* Fan with grille airflow filter.

RAL 7035 (Light Grey) is standard color (designated by U in the model number). Fans are also available in RAL 9005 (Black). To order Black fan, substitute N for U in model number. Example: KBFF20AUE1 for RAL 7035 (Light Grey) and KBFF20ANE1 for RAL9005 (Black).

- APPROVALS: 1. **NEMA TYPE 12 MAINTAINED** 2. **CE** 3. **SP** 4. **RU** 5. **C RU US**

## DRAWINGS

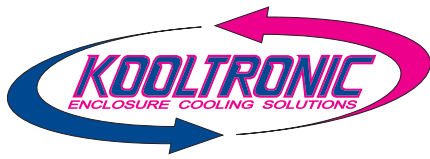


Find additional information on this model at [kooltronic.com](http://kooltronic.com), or use the Technical Documents QR code below.

Technical Documents



k\_bff20aue1.qxd (12/22/20) (CDR: 20293)



# ADVANTAGE SERIES FILTER FANS

## KBFF20AUE1 MODELS

### DESCRIPTION

---

In response to industry demands for small, versatile cooling units, Kooltronic now offers the new Advantage Series Filter Fans. Unique to the series is a clean, linear design, characterized by its extremely flat profile, which keeps the unit from protruding from the cabinet wall. The new Advantage Series Filter Fans offer convenience, versatility and reliability:

**FAST MOUNTING:** With elastic hooks and an integrated seal, the Advantage Series Filter Fans can be mounted easily into the opening provided on the panel. There is no need for extra screws or preparation.

**WIDE RANGE OF MOUNTING DIMENSIONS:** The precise planning of the elastic hooks and gaskets allow the fans to be mounted in openings with a tolerance range of 0.059 inches [1.5mm] and a plate thickness of between 0.059 inches [1.5mm] and 0.098 inches [2.5mm].

**ELECTRICAL CONNECTION:** Terminal block 3 poles L-N-PE.

### COMPONENT CHARACTERISTICS

---

- Standard airflow direction is from the outside to the inside of the cabinet.
- All materials used for the components can be recycled.
- Mounting hardware is not required when using the “snap-in” method which utilizes elastic hooks. Otherwise four self-threading screws are used.
- The plastic enclosure with integral finger guards consists of an ABS/PC alloy (Blend) and is self-extinguishing according to UL94V-0.
- The standard filter media consists of thermolinked, progressive structure synthetic fiber.
- Filters are stable up to 100°C and 100% rh. (Filters are necessary in order to maintain Type 12 Rating).
- Filtering class G3, according to EN 779.
- Filters guarantee a continuously high level of protection according to EU4, with an 85% separation efficiency according to DIN 24185 Standard. NOTE: Filter media is washable about 10 times.
- Dust retention capacity is particularly high (600 g/m<sup>2</sup>), which reduces maintenance.

### ACCESSORIES AND OPTIONS

---

- Filter fans can be supplied with reversed airflow direction (from inside the cabinet to outside).
- Standard color is RAL 7035, Light Grey. RAL 9005, Black, is available as an option. Depending on the request and quantity, the plastic parts can be supplied in other colors.
- Replacement filters (P/N: KFM20).
- Grille assemblies (P/N: KBFA20U).

### HOW TO ORDER

---

Specify model number. Example: KBFF20AUE1 (115V). K2BFF20AUE1 (230V).

RAL 7035 (Light Grey) is standard color (designated by U in model number). Fans are also available in RAL 9005 (Black). To order Black fan, substitute N for U in model number. Example: KBFF20AUE1 for RAL 7035 (Light Grey) and KBFF20ANE1 for RAL 9005 (Black).

To order fan with reverse airflow, add R to model number. Example: KBFF20AUE1R.

